

Series 8300 Pushbutton Switches

Features

- Illuminated or non-illuminated
- Momentary or Alternating action
- Thermoplastic case
- Snap-in cases

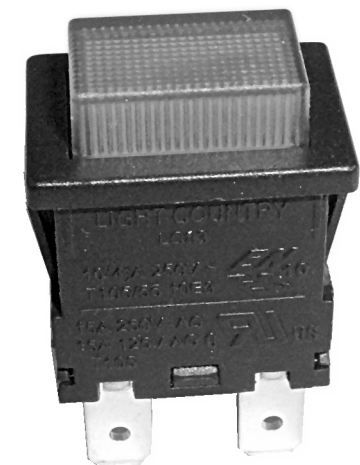
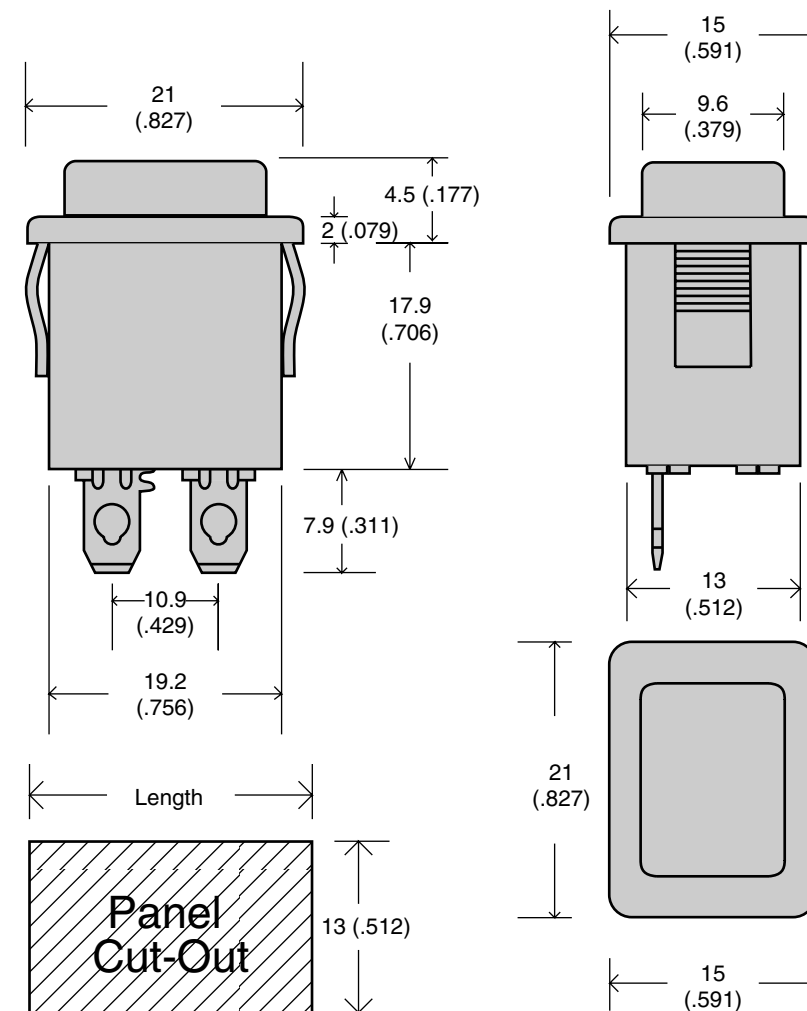
Specifications

General Tolerance 0.4 mm [inch]
 0.25mm[inch]
 Mechanical Life 30,000 cycles
 Electrical Life 10,000 cycles
 Dielectric Strength 1,500V 1 minute
 Insulation Resistance 1000mΩ (500 DC
 between open contacts)
 Contact Resistance 20mΩ

Switch Function Code	Poles & Throws	Pushbutton Down	Pushbutton Up
01	SPST	ON	OFF
02	SPST	(ON)	OFF
03	SPST(w/lamp)	ON	OFF
04	SPST(w/lamp)	(ON)	OFF
05	DPST	ON	OFF
06	DPST	(ON)	OFF
07	DPST(w/lamp)	ON	OFF
08	DPST(w/lamp)	(ON)	OFF

()=Momentary

Panel Thickness (mm)	Length (mm)
0.7 ~ 1.25	19.0 + 0.2
1.26 ~ 2.0	19.3 + 0.2
2.1 ~ 3	19.6 + 0.2



Ordering Procedure

